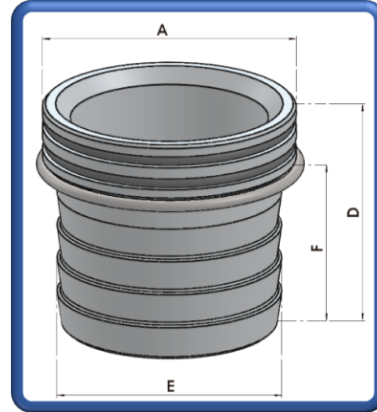




# Flange Neck Adaptors

Flange Neck Adaptor Assembly I/D44.0 to Ø38.0 Hose-fill.  
Part Number: FI-AB-001 (N38AD)



## Options:

### Part Description

Flange Neck Adaptor Assembly I/D44.0 to Ø32.0 Hose-Fill

### Part Number

FI-AB-002 (N32AD)

## Specifications:

### Fixing Arrangement:

### Applications:

### Compatibilities:

### Finish:

### Weight:

### Supplied With:

Circlip or Wire Clip

Fuel, Oil & Water Tanks

Extreme Fuels

Operation Temperature -40°C to +80°C

Anodised

36 grams (FI-AB-001)

43 grams (FI-AB-002)

O-ring

Wire Clip

## Materials:

### Adaptor Neck:

### O-Ring:

### Wire Clip:

Aluminium Alloy 6082/T6

Viton A (FPM or FKM)

Stainless Steel 303

## Dimensions:

### Outside Diameter A:

### Centre Cap Diameter B:

### Bolt Circle Diameter C:

### Hose overall Depth D:

### Hose Attachment Height E:

### Hose Attachment Height F:

44.0mm

N/A

N/A

40.0mm

38.0mm (FI-AB-001)

32.0mm (FI-AB-002)

50.0mm

## Optional('s):

Circlip (Only for FI-AB-002)

**Fluid Containment – When It Matters**

Tell: +4420 8594 7990 / Fax: +4420 8594 7989 / [www.newton-equipment.com](http://www.newton-equipment.com) / [info@newton-equipment.com](mailto:info@newton-equipment.com)

Registered in England. 6 Orwell Close/ Fairview Ind. Park/ Rainham/ Essex/ RM13 8UB