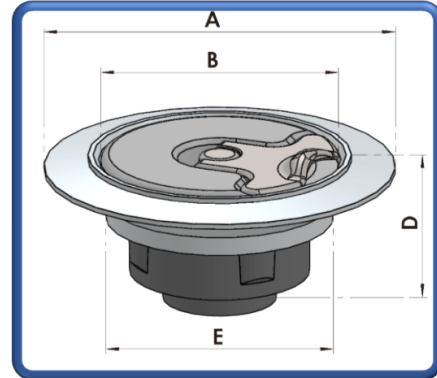




Aero 200

**A200 Fuel Filler Cap, Non-Locking, Non-Vented, Silver,
Glass-In Flange.**

Part Number: OA-ZA-009 (A2SG)



Options:

Part Description

A200 Fuel Filler Cap, Locking, Non-Vented, Silver, Glass-In Flange

Part Number

OA-ZA-040 (A20LG)

Specifications:

Fixing Arrangement:

Applications:

Compatibilities:

Finish:

Weight:

Supplied With:

Lamination (Fibreglass)

Fuel, Oil & Water Tanks

Compatible with Jet Fuel 100LL

Operation Temperature -40°C to +80°C

Ring Natural & Cap Anodised Clear (Silver)

82.0 grams

Cap

Glass-In Flange

Materials:

Centre Cap:

Flange Neck:

O-Ring:

Saddle:

Lever & Centre Pin:

Washer & Nyloc Nut:

Aluminium Alloy 6063 Forging

Aluminium Alloy 6082/T6 Machined

Viton A (FPM or FKM)

Acetal POM Kepital F20-03

Stainless Steel 303/304

Stainless Steel A2 Type

Dimensions:

Outside Diameter A:

Centre Diameter B:

Bolts Circle Diameter C:

Depth D:

Spigot E:

Neck Diameter:

Flange Thickness:

68.0mm

47.0mm

N/A

30.0mm

Ø46.0mm (Ø47.00 Cut-Out)

N/A

N/A

Optional('s):

Lanyard

Metal Saddle

Hard Anodising

Fluid Containment – When It Matters

Tell: +4420 8594 7990 / Fax: +4420 8594 7989 / www.newton-equipment.com / info@newton-equipment.com

Registered in England. 6 Orwell Close/ Fairview Ind. Park/ Rainham/ Essex/ RM13 8UB