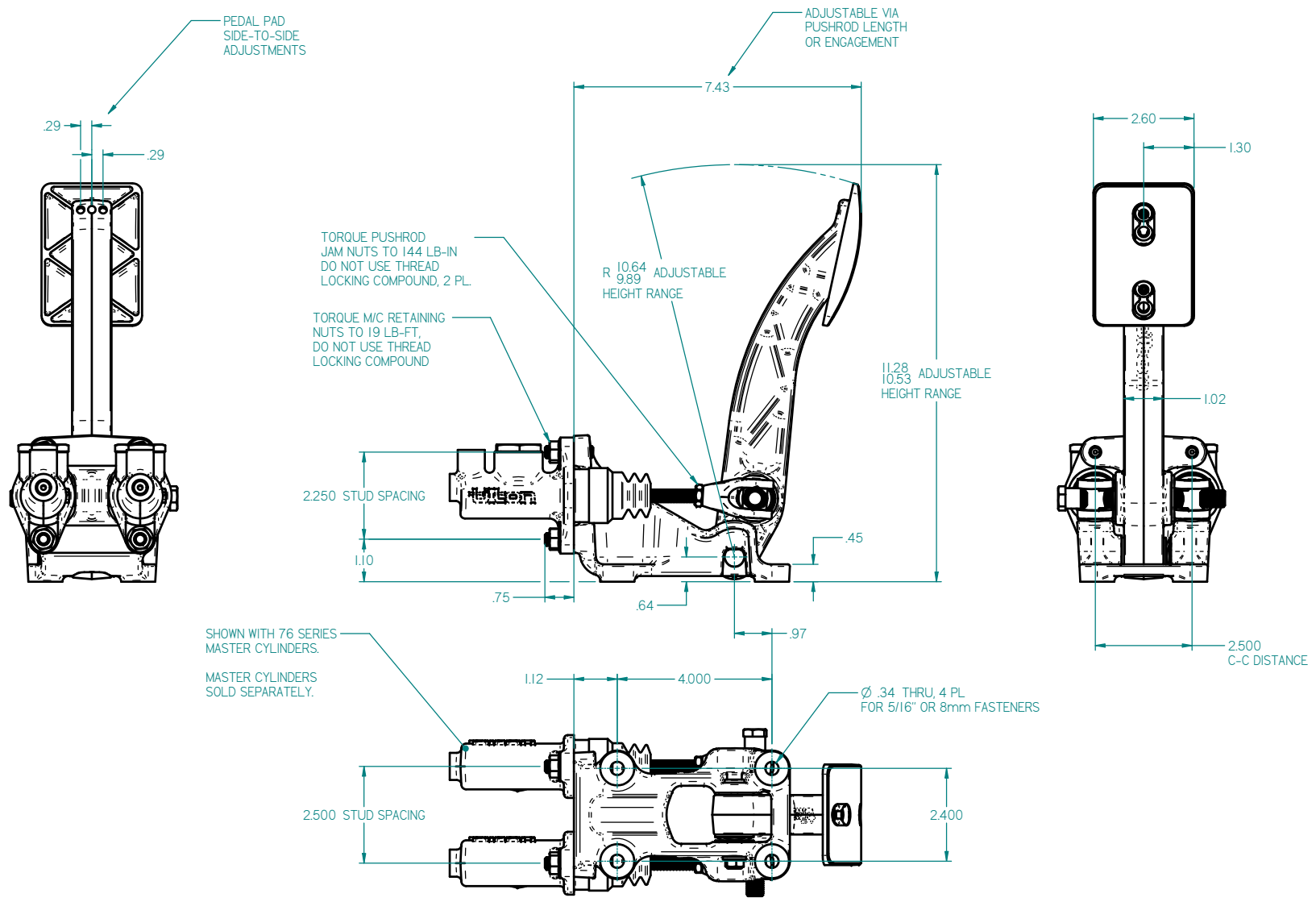


REV	ECN	DATE	BY	CHANGE OR ADDITION
NC		8/1/2023	WAHL	INITIAL RELEASE



- NOTES:**
1. DIMENSIONS AND TOLERANCES PER ASME Y14.5 - 2009
 2. UNLESS OTHERWISE SPECIFIED, ALL DIMENSIONS ARE IN INCHES.

DO NOT EXCEED 3 DEGREES OF PUSHROD ANGULARITY DURING STROKE OF PEDALS. PREMATURE MASTER CYLINDER WEAR MAY OCCUR.

TILTON ENGINEERING, INC.
 25 EASY STREET, P.O. BOX 1787, BUELLTON, CA 93427
 PHONE: 805/688-2353 FAX: 805/688-2745 WWW.TILTONRACING.COM

**TITLE: INSTALLATION DRAWING
 BRAKE PEDAL ASSEMBLY, FLOOR MOUNT**

DRAWN BY WAHL	CHKD DAHM	SCALE 1:2	SIZE C	DWG 7854	REV NC
P/N 72-614	DATE 8/1/2023	SHEET 1 OF 1			

TILTONENGINEERING[®] INC.

This document contains proprietary information of TILTON ENGINEERING, INC. and its receipt or possession does not convey the rights to reproduce, disclose its contents, or to manufacture, use or sell anything it may describe. Reproduction, disclosure, or use without specific written authorization of TILTON ENGINEERING, INC. is strictly forbidden.

