



Zero 2000 - the first environmentally-friendly extinguishant to combat the problem of Halon replacement. In a world of constant change, Lifeline has consistently led the way, and continues to do so.

Zero 2000 is a fully integrated design approach. Together with the specially designed atomising nozzles, the Zero 2000 compound itself has been specially blended to cope with the rigorous demands of motorsport. The nozzle design divides the foam into minute particles, smothering the fire with a fine mist that forms an invisible seal over the target area, cooling and preventing re-ignition. Zero 2000 performed supremely well in engine fire tests, and thus achieved full approval of the **FIA, RACMSA** and **SCCA**.



In addition to its fire suppression performance **Zero 2000** also has other advantages. It is economic to refill, and of course, is totally **environmentally friendly**, being **non-ozone depleting, non-corrosive, non-toxic** and **biodegradable**.

The latest generation of International specification **Zero 2000** Systems have been independently tested by the **British Standards Institute** passing the new **FIA** extinguisher tests with flying colours, resulting in homologation approvals for all appropriate groups.

- FIA Homologated
- Lightweight and compact
- 4 litres of Zero 2000 extinguishant
- Clean Halon replacement, environmentally acceptable
- Highest quality components
- Constant discharge in any orientation
- Excellent fire knock down and fire out capabilities
- Two year service cycle
- The choice of world championship winning constructors

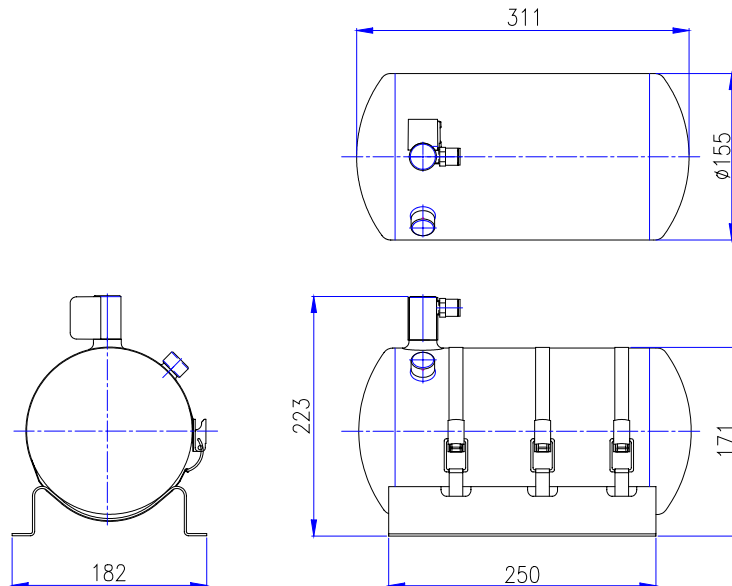
For more information please contact your authorised Lifeline supplier, or contact Lifeline direct at:

Lifeline Fire & Safety Systems Ltd
Burnsall Road
Coventry CV5 6BU
Tel: 024 7671 2999 Fax: 024 7671 2998
Email: sales@lifeline-fire.co.uk

Data Sheet - Zero 2000 4.0 litre Electrical System

Specifications and Prices

Description:	Zero 2000 4.0litre Electrical Extinguisher System
FIA homologation:	EX.002.98
Part No:	LL102-400-003 (was FIA004)
Contents:	Zero2000 Foam, 4.0 litres, single chamber
Discharge System:	Electrical, pressurised to 8bar
Cylinder:	Aluminium
Size (mm):	155 dia x 223 x 311 (incl. bracket & discharge head)
Weights:	Cylinder (filled) = 5.1 kg
Operating Temperatures:	-15 to +60 degrees C



Retail Prices

£ Please call. Complete with mounting bracket & installation kit.

Kit Contents

1 x 4.0l cylinder with bracket & straps

2 x Plug & lead assembly

1 x Power pack

1 x Cockpit switch

1 x External waterproof switch

4 x Discharge nozzles

3 x T connectors (push in)

1 x Bulkhead fitting (push in)

5 x metres Semi-rigid tube

1 x Tube mount clips (pack)

1 x Decal pack

1 x Instructions manual